

CIQD0897

## Type CIQ Surface Mount Fast-Acting Chip Fuse



### Electrical Characteristics

Testing current	Blow Time	
	Minimum	Maximum
100%	4 Hrs.	N/A
200%	N/A	2 sec
300%	N/A	0.2 sec

### Approvals



Safety Agency Approvals	Amp range / Volt @ I.R. ability
Listed File No. E20624 Certified No. LR39772	1A - 3A / 125V AC @ 100A and 63V DC @ 50A

### Environmental Specification

#### Soldering conditions

Infrared Reflow: 260°C, 20 sec max.  
Wave Solder: 260°C, 10 sec max. (MIL-STD-202, Method 210)  
Solderability: MIL-STD-202, Method 208

#### Operating Temperature

-55°C to +125°C

#### Shock

MIL-STD-202, Method 213, Test Condition I  
(100 G's peak for 6 milliseconds)

#### Vibration

MIL-STD-202, Method 201 (10-55 Hz, 0.06 inch, total excursion)

#### Salt Spray

MIL-STD-202, Method 101, Test Condition B (48hrs)

#### Insulation Resistance

MIL-STD-202, Method 302, Test Condition A  
(After Opening) 10,000 ohms minimum

#### Resistance to Solder Heat

MIL-STD-202, Method 210, Test Condition F  
(20sec, at 260°C)

#### Thermal Shock

MIL-STD-202, Method 107, Test Condition B  
(-65°C to +125°C)

Catalog Number	Ampere Rating	Typical cold Resistance (ohm)	Volt-drop @100% In (Volt) max.	Melting 1 <sup>st</sup> T < 10 mSec (A <sup>2</sup> Sec)	Melting 1 <sup>st</sup> T @10 In (A <sup>2</sup> Sec)	Maximum Power Dissipation (W)
CIQ 1	1.A	0.182	0.27	0.060	0.0026	0.29
CIQ 1.25	1.25A	0.138	0.24	0.082	0.0043	0.33
CIQ 1.5	1.5A	0.112	0.23	0.105	0.0063	0.38
CIQ 2	2.A	0.079	0.21	0.15	0.012	0.45
CIQ 2.5	2.5A	0.060	0.19	0.21	0.019	0.52
CIQ 3	3.A	0.045	0.18	0.29	0.032	0.61

Consult manufacture for other ratings

### Physical Specification

#### Materials

Ceramic Substrate / Tin Plated Termination

#### Marking

On fuse:

none

Label on Reel:

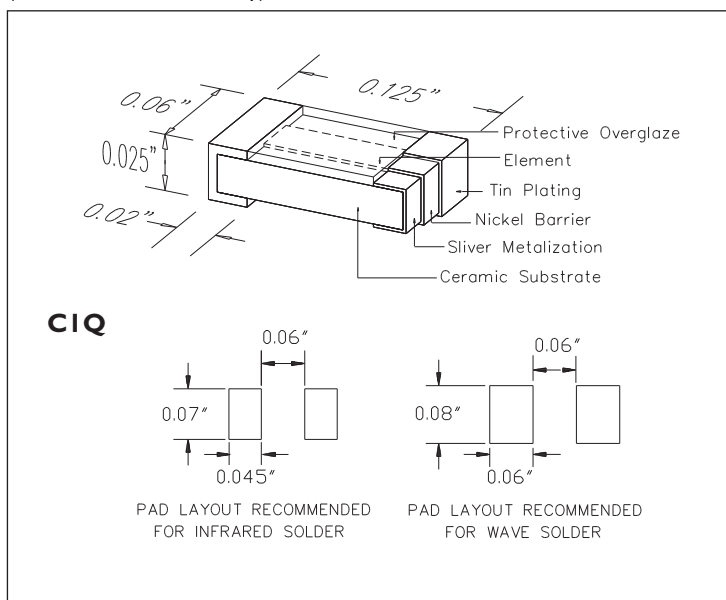
“bel” “CIQ” “Current Rating” “125V”, Interrupting Rating and “UL SP CE”

#### Packaging

3,000 fuses in 7 inches dia. Reel, 8mm wide tape, per EIA - 481  
(equivalent IEC-286 part 3)

### Mechanical Dimensions

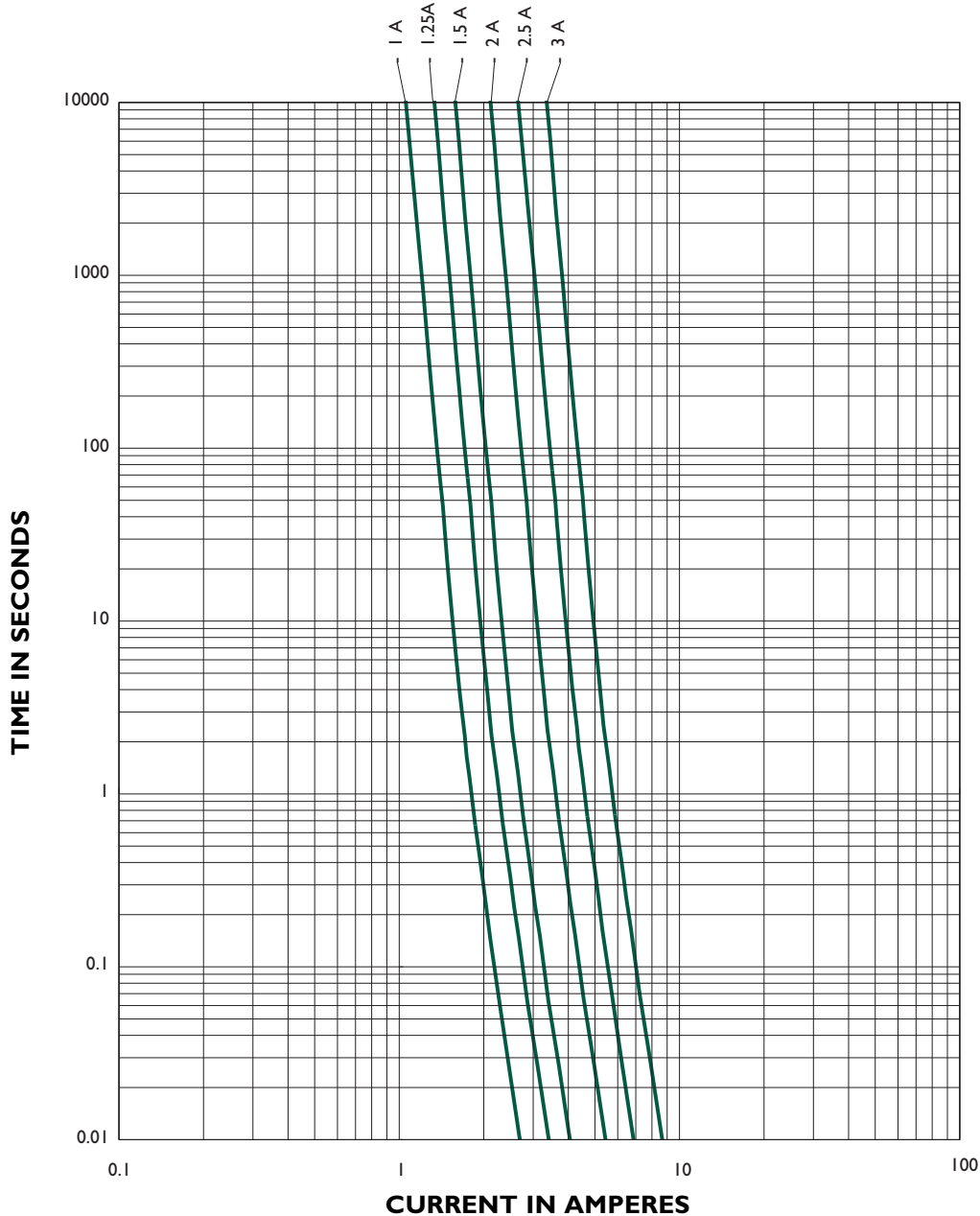
(all in inch for reference only)



Specifications subject to change without notice

**Type CIQ**  
Surface Mount Fast-Acting Chip Fuse

**CIQ - TIME CURRENT CHARACTERISTIC CURVE**



Specifications subject to change without notice

**Corporate Office**

Bel Fuse Inc.  
198 Van Vorst Street, Jersey City, NJ 07302  
Tel: 201-432-0463  
Fax: 201-432-9542  
E-Mail: [BelFuse@compuserve.com](mailto:BelFuse@compuserve.com)  
Internet: <http://www.belfuse.com>

**Far East Office**

Bel Fuse Ltd.  
8F/8 Luk Hop Street  
San Po Kong  
Kowloon, Hong Kong  
Tel: 852-2328-5515  
Fax: 852-2352-3706

**European Office**

Bel Fuse Europe Ltd.  
Preston Technology Management Centre  
Marsh Lane, Preston PR1 8UD  
Lancashire, U.K.  
Tel: 44-1772-556601  
Fax: 44-1772-888366